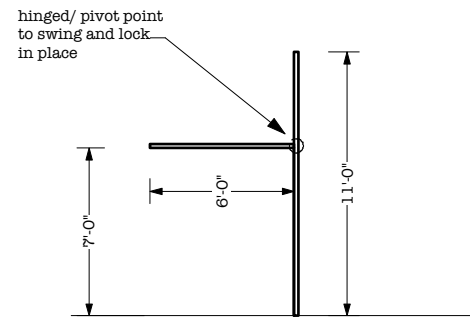


Reminders:
The vertical posts on all never move

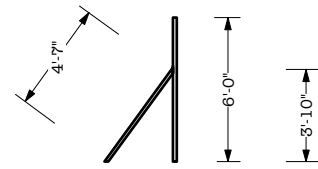
ONLY Queen Mary, House, and Tree have pivot points/ change shape.

Measurements are taken from the floor.
My suggestion is to cut them all following these measurements/ the cut lists provided, and make adjustments when you are installing (when you can see if a post can rest on the floor, or you need to accommodate for height of platform.



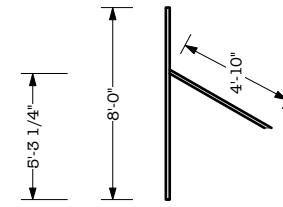
Queen Mary
(dimensions are taken from floor)

- 1 @ 11'-0"
- 1 @ 6'-0"



Boardwalk
(dimensions are taken from floor)

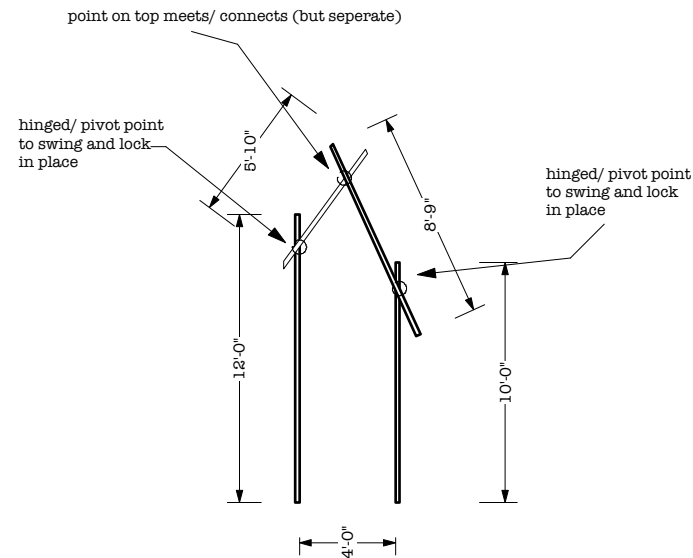
- 1 @ 6'-0"
- 1 @ 4'-7"



Orphanage
(dimensions are taken from floor)

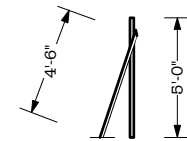
- 1 @ 8'-0"
- 1 @ 4'-10"

CUT LIST NUMBERS FOR EACH POST STRUCTURE



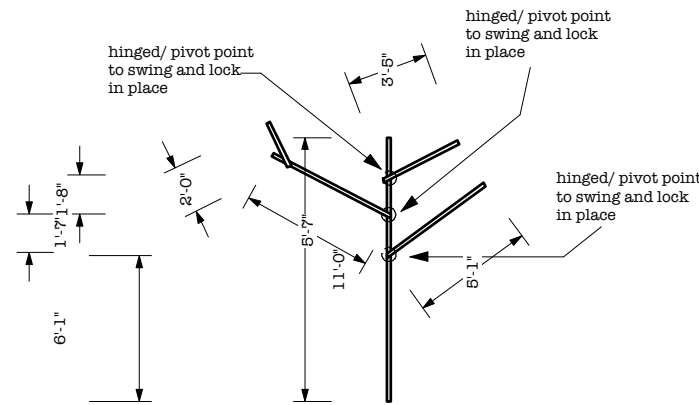
House
(dimensions are taken from floor)

- 1 @ 12'-0"
- 1 @ 10'-0"
- 1 @ 5'-10"
- 1 @ 8'-9"



Dover Train
(dimensions are taken from floor)

- 1 @ 4'-6"
- 1 @ 5'-0"



Tree
(dimensions are taken from floor)

- 1 @ 11'-0"
- 1 @ 5'-1"
- 1 @ 5'-7"
- 1 @ 3'-5"

CUT LIST NUMBERS FOR EACH POST STRUCTURE

NOTE:
New measurements:
Measurements have been rounded to closest inch.