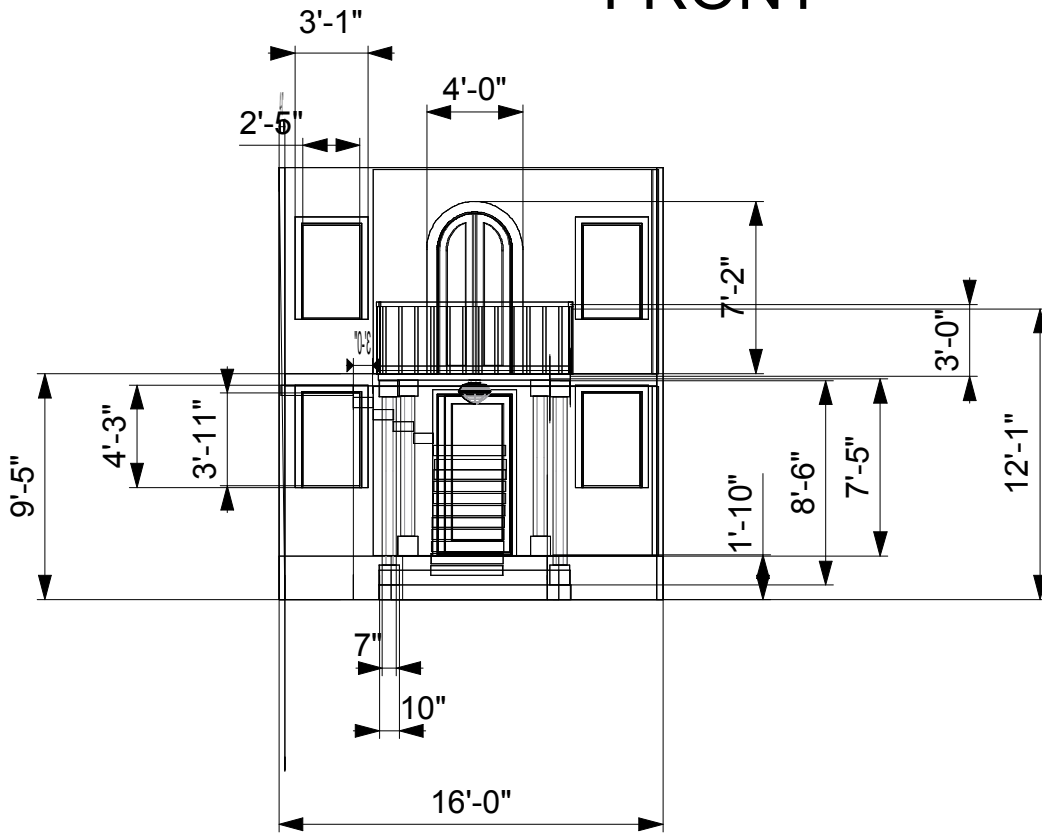
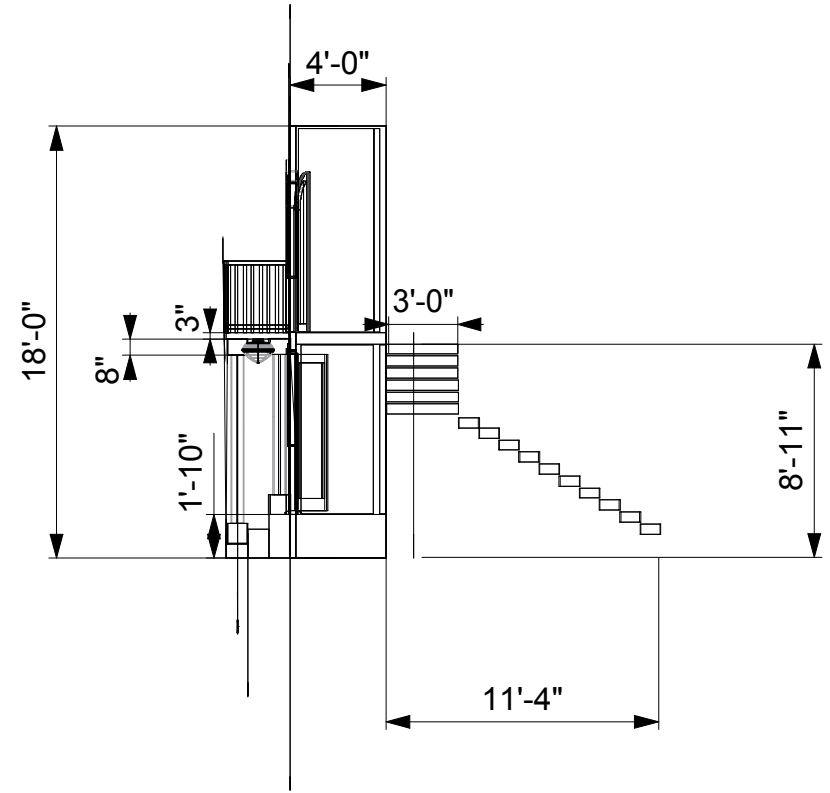


# FRONT



# SIDE



## NOTES:

1. Floor of balcony can't be higher than 9'6"
2. SR windows will have blinds/ treatments to allow exits
3. Balcony depth between 2' and 3'
4. Column tops/bottoms (see images please)
5. Upstairs balcony door- open out to balcony if possible (inward if necessary)
6. Windows do not need glass- just opening  
(May use heat shrink stuff....UTK)
7. 'landscape' plants underneath windows
8. Please trim out doors and windows

## MUCH ADO ABOUT NOTHING

Georgia College, Russell

Director: Karen Berman

Scenic Designer: Frani Geiger

TD: Lucian Connole

Drawing:

Main House

SC = 1/8" = 1'0"